



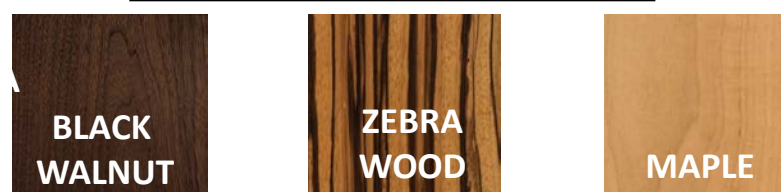

AN EXTERNAL PUMP AND MOTOR	ADJUSTABLE TOTAL WATER COUNT	PROGRAMMABLE GROUP PURGE BUTTONS
INDIVIDUAL BREW BOILERS	PID (Temperature Stability Control)	PREHEATED COFFEE TANKS
ELEVATED DIGITAL SHOT TIMERS	PROGRAMMABLE PRE-INFUSION	COOL TOUCH STEAM WANDS
TWO WAY ADJUSTABLE STEAM PADDLES	4 MAGNET FLOW METERS (FOR INCREASE ACCURACY)	3 POSITION HEIGHT-ADJUSTABLE DRAINTRAY
2+ YEAR WARRANTY	TWO USER DEFINED VOLUMETRIC PROGRAMS PER GROUP	180° SWIVELING STEAM WANDS
GROUP HEADS WITH NO WEAR PARTS	NEW COMPACT LOW PROFILE DESIGN	OPTIONAL: IN-COUNTER INSTALLATION

- **NEW 2018 MODEL!** “Our fourth and newest model espresso machine, the S200 is built with reliability and accessibility in mind.
- The goal with the S200 was to make an approachable, volumetric machine with the quality we are known for. All internal components are Synesso standard as found in our Cyncra, MVP, and MVP Hydra machines. This includes group heads with no wear parts, individual brew boilers, inbuilt digital shot timers, programmable temperature per group head, and cool touch steam wands.
- Extraction is controlled by volumetric programming, with two user-defined programs per group. The wired hand held display allows control of total water count and optional pre-infusion duration, which can be saved across both group heads. Additional settings include the programmable hot water tap with mix valve, arcade-inspired group purge buttons, and an auto back flush program.
- The steam valves are equipped with ambidextrous actuators that can swivel 180°, allowing both right and left-handed operation for baristas. Use our exclusive 4 or 6-hole steam tips to make the S200 ultimately approachable for individual preference and skill level.
- With a height of 17 inches, the S200’s low profile design and 3-position height-adjustable drain tray offers greater flexibility for installation. There is an optional in-counter installation for an even lower profile. The S200 is available in an all-white or all-black standard exterior, with additional wood packages available.
- Rely on the Synesso S200, a machine that is temperature-stable, consistent, and also compact, accessible, and approachable.”

POWDER COAT



WOOD PACKAGE OPTIONS



Handcrafted in USA
Seattle Washington

S200 SPECIFICATIONS

Main feature

1. External pump and motor (1 unit)
2. Fully volumetric with up to 4 programmable dispensed volumes
3. Pre-infuse time can be set by using the handheld controller *
4. Shot volume can be set by using the handheld controller *
- (* Make change between shot not while brewing)
5. Stop shot early can be operate
6. Synesso steam wands are made with a proprietary double-walled process that help to keep the outer wall cooler

Included in the package with this machine you will find the following:

1. Thumb Drive containing the Owner's Manual and other technical documents
2. Pump/Motor Combination + hoses (3/8" compression fittings on all hoses)
3. 8' Long metal reinforced 3/4" ID drain hose + hose clamp (attached)
4. Fitting, 1/4" male NPT x 90° x 3/8" Compression (if not CE/C-Tick) ☐

Accessory Package:

1. Portafilters (per customer specification),
2. blind basket
3. Synesso 3 oz. (90ml) shot glass
4. JoeGlo cleaning kit
5. A 58.4mm tamper.
6. Electrical plugs are ONLY included on CSA Certified machines (Canada)

Materials information for Synesso machines:

1. All stainless steel coming into contact with the water supply is 300 series
2. All brass fittings are low lead per the CA360 specifications or better
3. All electronic devices are lead free ☐
4. All gaskets are made from food-contact safe material

Electrical:

Voltage, Single Phase	220
Hertz	50 / 60
Amps - max draw	28 amp
Cord Plug Rating (UL Listed)	30 amp

Brew & Steam Specifications:

Watts per Element, Steam Tank	2000 x 2
Total Steam Element Wattage	4000
Steam Tank Capacity (Liters)	7.7
Watts per Element, Brew Tank	700 x 2
Brew Tank Capacities (Liters)	1.9 x 2

Machine Dimensions:

	Inches / mm
Height	16.9" / 428
Width	27.6" / 702
Depth	24" / 610

Weights & Dimensions:

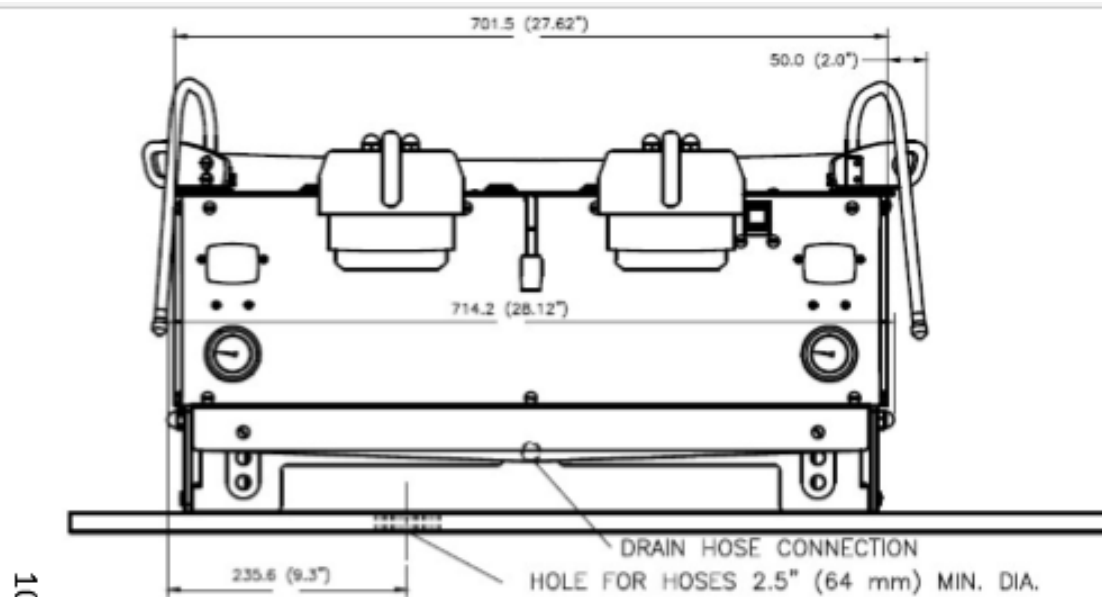
	Lbs / Kgs
Machine Weight, Empty	145 / 66
Shipping Weight (approximate)	232 / 105
Boxed Dimensions: L" x W" x H"	42" x 32" x 31"
Boxed Dimensions: L x W x H (mm)	1042x762x787

Plumbing (Compression):

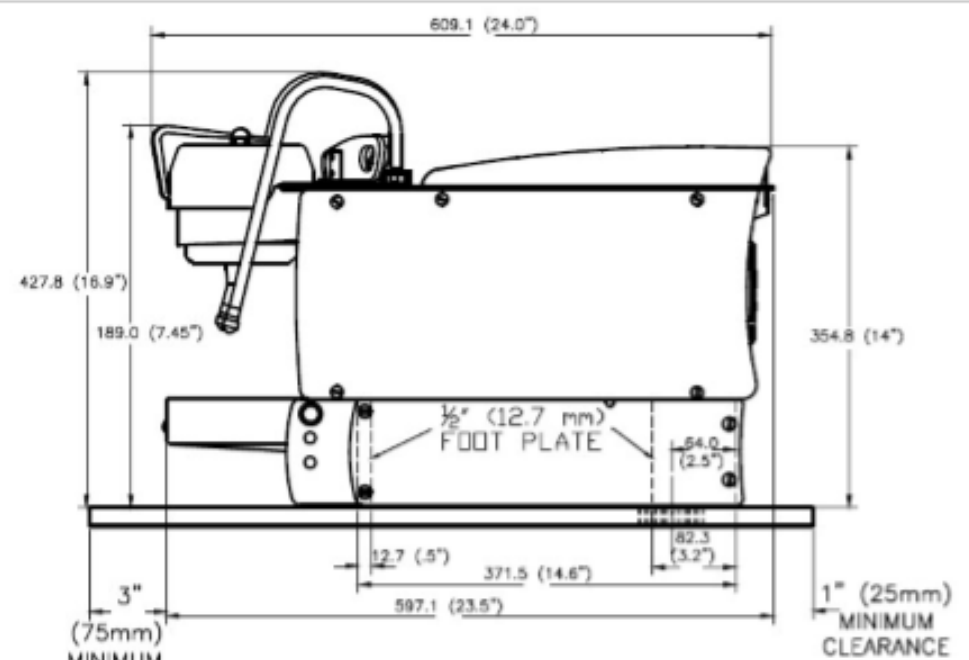
3/8" OD

DRAINAGE: Within 4 feet of machine

IN-COUNTER INSTALLATION: Approximately 4 1/4 inches or 10.8 cm.

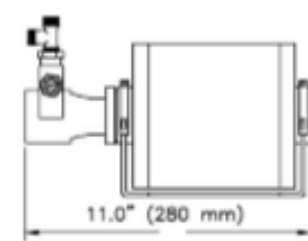
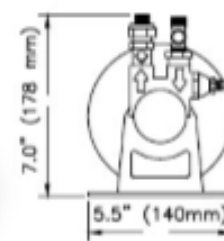


FRONT VIEW



RIGHT HAND END VIEW

INSTALLATION & WORK STATION



CoffeeWORKS.

BKK Experience Center :

100/70 Soi Sukhumvit 26, Khlong Tan, Khlong Toei, BKK 10110, Thailand.

Tel: **02-425-1395** ext.81,83

Fax: 02 425 - 1394

Open M-F: 9.00 -17.00 Sat: 10.00 - 15.00

Email: sales@coffeeworks.co.th

Eastern Seaboard Experience Center :

1st Floor @ The Avenue Pattaya 399/9

The Avenue Pattaya building, B103 Unit, Pattayasaisong Rd, T. Nongprue, A. Banglamung, Chonburi 20150 Thailand.

Tel: **03-364 - 0928**

Fax: 03 364 - 0928

Open M-SUN: 10.00 -19.00

Email: sales@coffeeworks.co.th

www.coffeeworks.co.th