

# S30 PERFECT TOUCH

CoffeeWORKS®

SUPERIOR TECHNOLOGY  
SUPER AUTOMETIC ESPRESSO MACHINE



reddot award 2016  
winner

## Main Features

CAPACITIVE LED TOUCH SCREEN 10.4 INCH

● Titanium grinders, K110 steel, PVD coating

● Multi Interface   ● Toughened glass   ● Backlit RGB panel and RGB light on the delivery area   ● VDO Display



SMART BOILER

2 BOILERS  
STAINLESS STEEL



INSULATE BOILER



PGS



TEREMETRY



METAL RESIDUCES SAFE



USB PORT



Bi-Directional  
Wi-Fi

## Optional Features



TUBOMILK



TUBOSTEAM MILK 4



TUBOSTEAM



COLD TOUCH

## Available

● 1, 2 Coffee Hoppers   ● 1 Soluble Hopper   ● Cimbali S30 Cup Warmer   ● Cimbali S30 Refrigerator up to 8L of milk cooling

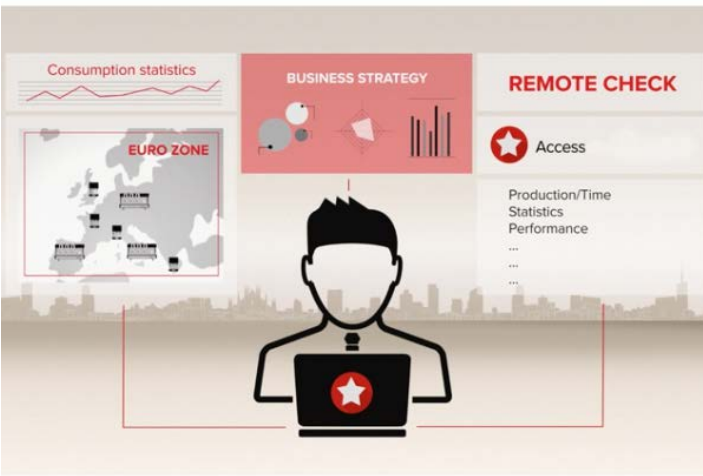


100% Made in Italy

LA-CIMBALI



reddot award 2016  
winner



TECHNICAL DATA / TECHNISCHE DATEN

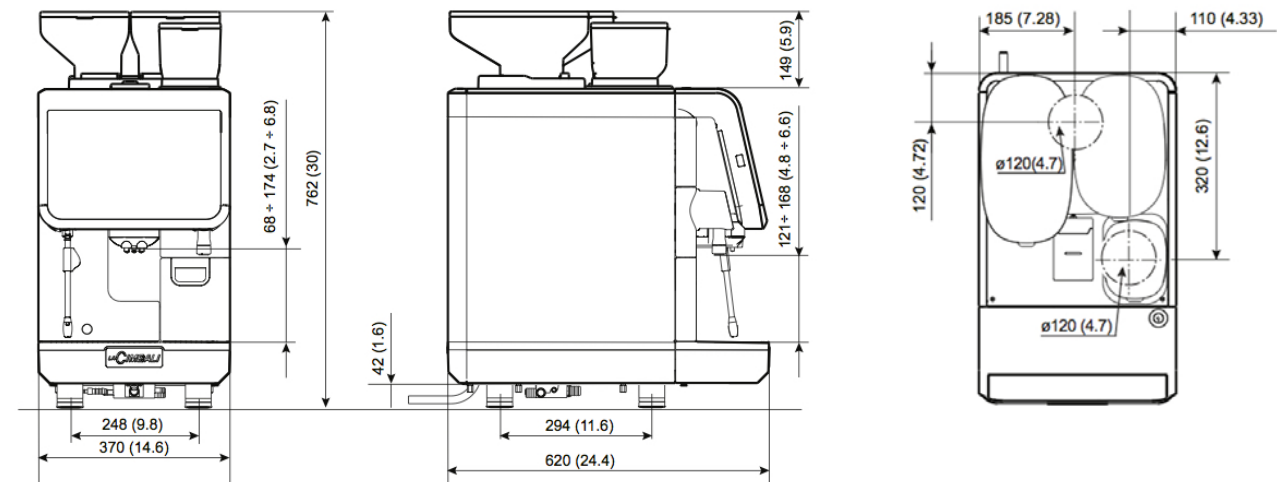
	S + TS	CP	CP + TS	CS
Dose selection keys Tasten für Portionsauswahl	24 12 x 2 8 x 3 4 x 6	24 12 x 2 8 x 3 4 x 6	24 1	24 12 x 2 8 x 3 4 x 6
Hot water selections Teewasserwahltasten	2	2	2	2
Hot water wand Teewasserhahn	1	1	1	1
Water by-pass Zusatzwasser	✓	✓	✓	✓
Steam wand Dampfhöhne	-	1	-	1
Turbo Steam Cold Touch	1	-	1	-
MilkPS	-	1	1	1
Smart Boiler	✓	✓	✓	✓
PGS	✓	✓	✓	✓
Boiler Kessel	2	2	2	2
Boiler capacity Kessel Kapazität	0,7 L	0,7 L	0,7 L	0,7 L
Hot water and steam boiler capacity Kesselkapazität Warmwasser und Dampf	1,25 L	1,25 L	1,25 L	1,25 L
Coffee dosing grinders Kaffeedosiermühlen	2	2	2	2
Coffee bean hoppers Bohnenrichter	2	2	2	2
Coffee bean hopper capacity Bohnenrichterkapazität	2 x 1,2 Kg	2 x 1,2 Kg	2 x 1,2 Kg	1 x 1,2 Kg + 1 x 1,0 Kg
Solubles hopper Trichter Instantgetränke	-	-	-	1
Solubles hopper capacity Trichterkapazität Instantgetränke	-	-	-	1,0 Kg
Solubles mixer Mixer Instantgetränke	-	-	-	1
Bidirectional Wi-Fi Bidirektionales Wi-Fi	✓	✓	✓	✓
USB	✓	✓	✓	✓

DIMENSIONS / GRÖSSE

Dimensions L x D x H (mm/inch) Abmessungen L x B x H (mm/in)	370 x 620 x 762		
Weight (kg) Gewicht (kg)	73		
Installed power at Installierte Leistung bei	220-240V 50Hz 220V 60Hz	(w)	4800 – 5700 4800
	380-415V3N 50Hz 380V3N 60Hz	(w)	4800 – 5700 4800

OPTIONAL

Motorised spout Motorisierter Ausgießer	✓	✓	✓	✓
Snowmilk	-	✓	✓	✓
Microfilter Mikrofilter	✓	✓	✓	✓
Direct emptying Direkter Abfluss	✓	✓	✓	✓



# CoffeeWORKS®

**BKK Experience Center** : 100/70 Soi Sukhumvit 26, Khlong Tan, Khlong Toei, Bangkok 10110 Thailand.  
**Tel: 02 425 – 1395 ext. 81,83**  
 Fax: 02 425 – 1394  
 Open M-F: 9.00 -17.00 Sat: 10.00 - 15.00  
 Email: [sales@coffeeworks.co.th](mailto:sales@coffeeworks.co.th)

**Eastern Seaboard Experience Center** : 1<sup>st</sup> Floor @ The Avenue Pattaya  
 399/9 The Avenue Pattaya building, B103 Unit, Pattayasaisong Rd,  
 T. Nongprue, A. Bang Lamung, Chonburi 20150 Thailand.

**Tel: 03 364 – 0928**  
 Fax: 03 364 – 0928  
 Open M-SUN: 10.00 -19.00  
 Email: [sales@coffeeworks.co.th](mailto:sales@coffeeworks.co.th)  
[www.coffeeworks.co.th](http://www.coffeeworks.co.th)